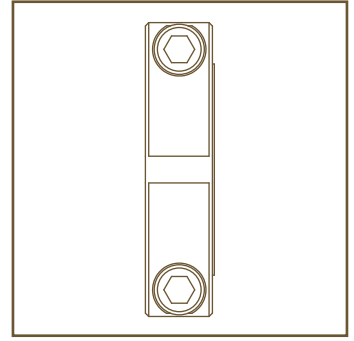
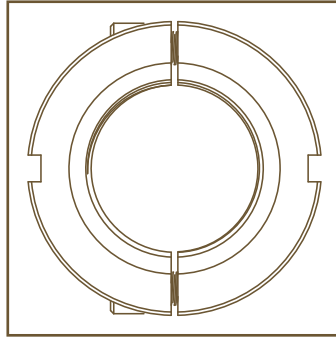
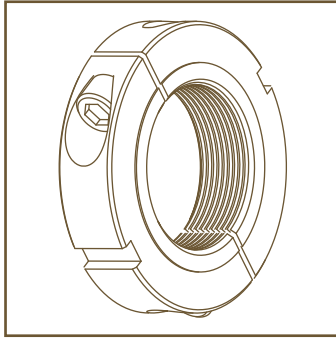


TWO-PIECE CLAMPNUT - SNF SERIES - STAINLESS



whittet-higgins company



PART NUMBER	THREAD	MAX OUTSIDE DIAMETER (INCHES)	MAX FACE DIAMETER (INCHES)	MAX WIDTH (INCHES)	THEORETICAL AXIAL LOAD (LBS)	SOCKET HEAD CAP SCREW	SUGGESTED SCREW TORQUE (IN-LBS)	CAD MODEL	PART PRINT
SNF03-32S	10-32	0.625	0.406	0.281	1700	4-40	1000	STEP	PDF
SNF04-28S	0.250-28	0.625	0.406	0.281	2500	4-40	1500	STEP	PDF
SNF05-24S	0.312-24	0.688	0.469	0.281	3300	4-40	1900	STEP	PDF
SNF06-24S	0.375-24	0.875	0.594	0.344	5200	6-32	3000	STEP	PDF
SNF07-20S	0.437-20	0.938	0.656	0.344	6200	6-32	3600	STEP	PDF
SNF08-20S	0.500-20	1.125	0.781	0.437	9600	10-32	5500	STEP	PDF
SNF10-18S	0.625-18	1.313	0.922	0.437	11300	10-32	6500	STEP	PDF
SNF12-16S	0.750-16	1.500	1.063	0.500	17000	1/4-28	9800	STEP	PDF
SNF14-14S	0.875-14	1.625	1.188	0.500	20300	1/4-28	11700	STEP	PDF
SNF16-14S	1.000-12	1.750	1.313	0.500	23700	1/4-28	13700	STEP	PDF
SNF16-12S	1.000-14	1.750	1.313	0.500	23100	1/4-28	13400	STEP	PDF
SNF18-12S	1.125-12	1.875	1.438	0.500	26500	1/4-28	15300	STEP	PDF
SNF20-12S	1.250-12	2.063	1.625	0.500	29800	1/4-28	17200	STEP	PDF
SNF22-12S	1.375-12	2.250	1.719	0.563	37100	1/4-28	21400	STEP	PDF
SNF24-12S	1.500-12	2.375	1.844	0.563	40800	1/4-28	23600	STEP	PDF
SNF32-12S	2.000-12	3.000	2.469	0.563	64500	5/16-24	37300	STEP	PDF

FOR ADDITIONAL ENGINEERING SUPPORT: (401) 728-0700