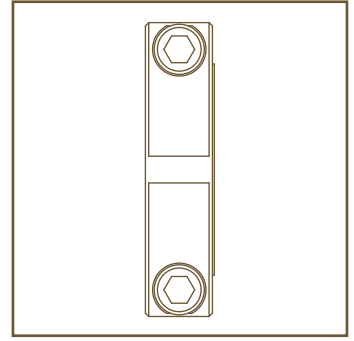
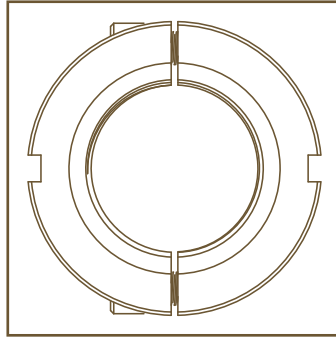
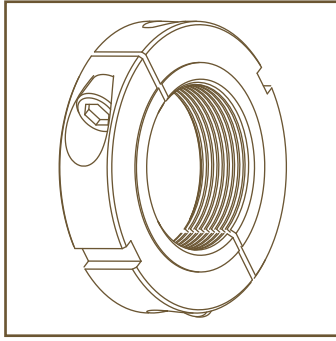


# TWO-PIECE CLAMPNUT - SNS SERIES - STAINLESS



**whittet-higgins company**



PART NUMBER	THREAD	MAX OUTSIDE DIAMETER (INCHES)	MAX FACE DIAMETER (INCHES)	MAX WIDTH (INCHES)	THEORETICAL AXIAL LOAD (LBS)	SOCKET HEAD CAP SCREW	SUGGESTED TORQUE (IN-LBS)	CAD MODEL	PART PRINT
SNS14-16S	0.875-16	1.625	1.188	0.500	11800	1/4-28	150	<a href="#">STEP</a>	<a href="#">PDF</a>
SNS16-16S	1.000-16	1.750	1.313	0.500	13800	1/4-28	150	<a href="#">STEP</a>	<a href="#">PDF</a>
SNS18-16S	1.125-16	1.875	1.438	0.500	15800	1/4-28	150	<a href="#">STEP</a>	<a href="#">PDF</a>
SNS20-16S	1.250-16	2.063	1.625	0.500	17800	1/4-28	150	<a href="#">STEP</a>	<a href="#">PDF</a>
SNS22-16S	1.375-16	2.250	1.719	0.563	22100	1/4-28	150	<a href="#">STEP</a>	<a href="#">PDF</a>
SNS24-16S	1.500-16	2.375	1.844	0.563	24200	1/4-28	150	<a href="#">STEP</a>	<a href="#">PDF</a>
SNS26-16S	1.625-16	2.750	1.969	0.625	30100	5/16-24	260	<a href="#">STEP</a>	<a href="#">PDF</a>
SNS28-16S	1.750-16	2.750	2.219	0.625	32700	5/16-24	260	<a href="#">STEP</a>	<a href="#">PDF</a>
SNS30-16S	1.875-16	2.875	2.344	0.625	35200	5/16-24	260	<a href="#">STEP</a>	<a href="#">PDF</a>
SNS32-16S	2.000-16	3.000	2.469	0.625	37800	5/16-24	260	<a href="#">STEP</a>	<a href="#">PDF</a>
SNS36-16S	2.250-16	3.250	2.719	0.625	43000	5/16-24	260	<a href="#">STEP</a>	<a href="#">PDF</a>
SNS40-16S	2.500-16	3.500	2.969	0.625	48000	5/16-24	260	<a href="#">STEP</a>	<a href="#">PDF</a>
SNS44-16S	2.750-16	3.750	3.219	0.625	53200	5/16-24	260	<a href="#">STEP</a>	<a href="#">PDF</a>
SNS48-16S	3.000-16	4.000	3.469	0.625	58300	5/16-24	260	<a href="#">STEP</a>	<a href="#">PDF</a>

FOR ADDITIONAL ENGINEERING SUPPORT: (401) 728-0700