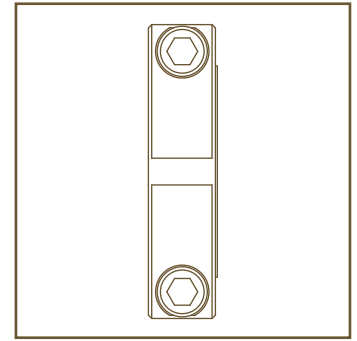
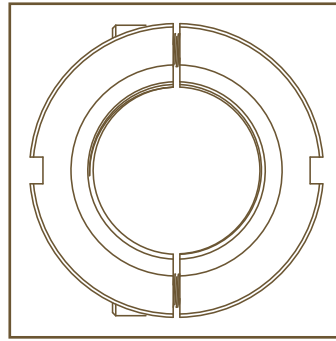
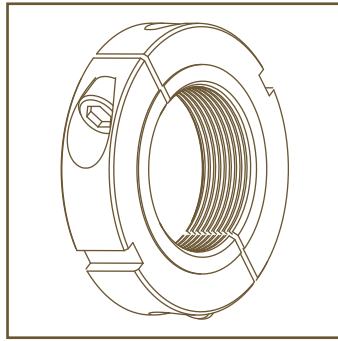


TWO-PIECE CLAMPNUT - SNC SERIES - STAINLESS



whittet-higgins company



PART NUMBER	THREAD	MAX OUTSIDE DIAMETER (INCHES)	MAX FACE DIAMETER (INCHES)	MAX WIDTH (INCHES)	THEORETICAL AXIAL LOAD (LBS)	SOCKET HEAD CAP SCREW	SUGGESTED SCREW TORQUE (IN-LBS)	CAD MODEL	PART PRINT
SNC2-32S	8-32	0.625	0.406	0.281	800	4-40	14	STEP	PDF
SNC3-24S	10-24	0.625	0.406	0.281	900	4-40	14	STEP	PDF
SNC4-20S	0.250-20	0.625	0.406	0.281	1400	4-40	14	STEP	PDF
SNC5-18S	0.312-18	0.688	0.469	0.281	1800	4-40	14	STEP	PDF
SNC6-16S	0.375-16	0.875	0.594	0.344	2800	6-32	25	STEP	PDF
SNC7-14S	0.438-14	0.938	0.656	0.344	3300	6-32	25	STEP	PDF
SNC8-13S	0.500-13	1.125	0.781	0.437	4600	10-32	60	STEP	PDF
SNC10-11S	0.625-11	1.313	0.922	0.437	6000	10-32	60	STEP	PDF
SNC12-10S	0.750-10	1.500	1.063	0.500	9100	1/4-28	150	STEP	PDF
SNC14-9S	0.875-9	1.625	1.188	0.500	10700	1/4-28	150	STEP	PDF
SNC16-8S	1.000-8	1.750	1.313	0.500	12100	1/4-28	150	STEP	PDF
SNC18-7S	1.125-7	1.875	1.438	0.500	13200	1/4-28	150	STEP	PDF
SNC20-7S	1.250-7	2.063	1.625	0.500	14900	1/4-28	150	STEP	PDF
SNC22-6S	1.375-6	2.250	1.719	0.563	17800	1/4-28	150	STEP	PDF
SNC24-6S	1.500-6	2.375	1.844	0.563	19600	1/4-28	150	STEP	PDF

FOR ADDITIONAL ENGINEERING SUPPORT: (401) 728-0700