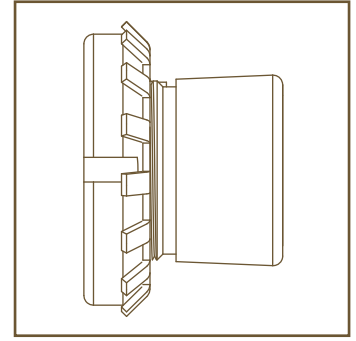
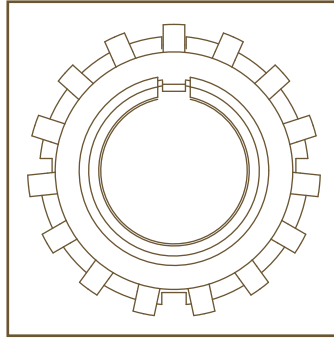
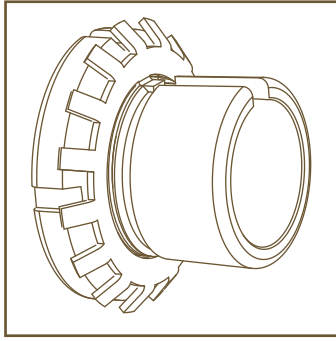


# BEARING ADAPTER SET - SNW-100 SERIES



whittet-higgins company



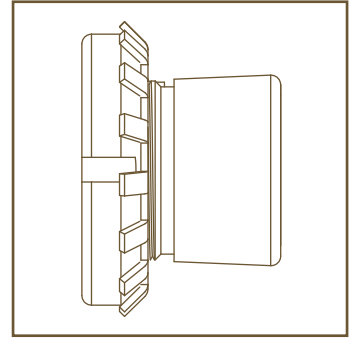
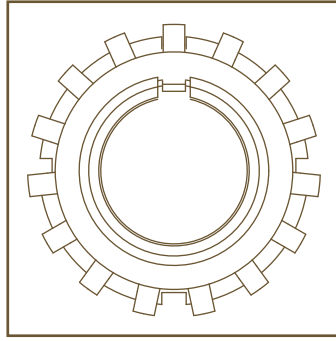
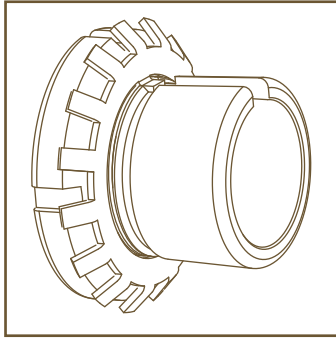
PART NUMBER	THREAD	MAX TAPER DIAMETER (INCHES)	BORE (INCHES)	MAX LENGTH (INCHES)	LOCKNUT	LOCKWASHER	CAD MODEL	PART PRINT	
SNW-104	11/16	0.781-32	0.875	0.688	1.480	N-04	W-04	<a href="#">STEP</a>	<a href="#">PDF</a>
SNW-105	3/4	0.969-32	1.082	0.750	1.637	N-05	W-05	<a href="#">STEP</a>	<a href="#">PDF</a>
SNW-106	15/16	1.173-18	1.292	0.938	1.799	N-06	W-06	<a href="#">STEP</a>	<a href="#">PDF</a>
SNW-107	1-3/16	1.376-18	1.499	1.188	1.942	N-07	W-07	<a href="#">STEP</a>	<a href="#">PDF</a>
SNW-108	1-5/16	1.563-18	1.702	1.313	2.025	N-08	W-08	<a href="#">STEP</a>	<a href="#">PDF</a>
SNW-109	1-7/16	1.767-18	1.909	1.438	2.143	N-09	W-09	<a href="#">STEP</a>	<a href="#">PDF</a>
SNW-109	1-1/2	1.767-18	1.909	1.500	2.143	N-09	W-09	<a href="#">STEP</a>	<a href="#">PDF</a>
SNW-110	1-11/16	1.967-18	2.122	1.688	2.404	N-10	W-10	<a href="#">STEP</a>	<a href="#">PDF</a>
SNW-110	1-3/4	1.967-18	2.122	1.750	2.404	N-10	W-10	<a href="#">STEP</a>	<a href="#">PDF</a>
SNW-111	1-7/8	2.157-18	2.329	1.875	2.526	N-11	W-11	<a href="#">STEP</a>	<a href="#">PDF</a>
SNW-111	1-15/16	2.157-18	2.329	1.938	2.526	N-11	W-11	<a href="#">STEP</a>	<a href="#">PDF</a>
SNW-111	2	2.157-18	2.329	2.000	2.526	N-11	W-11	<a href="#">STEP</a>	<a href="#">PDF</a>
SNW-112	2-1/16	2.360-18	2.535	2.063	2.669	N-12	W-12	<a href="#">STEP</a>	<a href="#">PDF</a>
SNW-113	2-3/16	2.548-18	2.739	2.188	2.781	N-13	W-13	<a href="#">STEP</a>	<a href="#">PDF</a>
SNW-113	2-1/4	2.548-18	2.739	2.250	2.781	N-13	W-13	<a href="#">STEP</a>	<a href="#">PDF</a>
SNW-114	2-5/16	2.751-18	2.950	2.313	2.955	N-14	W-14	<a href="#">STEP</a>	<a href="#">PDF</a>
SNW-115	2-3/8	2.933-12	3.155	2.375	3.094	AN-15	W-15	<a href="#">STEP</a>	<a href="#">PDF</a>
SNW-115	2-7/16	2.933-12	3.155	2.438	3.094	AN-15	W-15	<a href="#">STEP</a>	<a href="#">PDF</a>
SNW-115	2-1/2	2.933-12	3.155	2.500	3.094	AN-15	W-15	<a href="#">STEP</a>	<a href="#">PDF</a>
SNW-116	2-3/4	3.137-12	3.362	2.750	3.214	AN-16	W-16	<a href="#">STEP</a>	<a href="#">PDF</a>
SNW-117	2-15/16	3.340-12	3.566	2.938	3.322	AN-17	W-17	<a href="#">STEP</a>	<a href="#">PDF</a>
SNW-117	3	3.340-12	3.566	3.000	3.322	AN-17	W-17	<a href="#">STEP</a>	<a href="#">PDF</a>
SNW-118	3-3/16	3.527-12	3.776	3.188	3.563	AN-18	W-18	<a href="#">STEP</a>	<a href="#">PDF</a>
SNW-118	3-1/4	3.527-12	3.776	3.250	3.563	AN-18	W-18	<a href="#">STEP</a>	<a href="#">PDF</a>
SNW-119	3-5/16	3.730-12	3.982	3.313	3.712	AN-19	W-19	<a href="#">STEP</a>	<a href="#">PDF</a>
SNW-120	3-7/16	3.918-12	4.199	3.438	3.981	AN-20	W-20	<a href="#">STEP</a>	<a href="#">PDF</a>
SNW-120	3-1/2	3.918-12	4.199	3.500	3.981	AN-20	W-20	<a href="#">STEP</a>	<a href="#">PDF</a>
SNW-121	3-11/16	4.122-12	4.412	3.688	4.177	AN-21	W-21	<a href="#">STEP</a>	<a href="#">PDF</a>
SNW-122	3-11/16	4.325-12	4.619	3.688	4.358	AN-22	W-22	<a href="#">STEP</a>	<a href="#">PDF</a>
SNW-122	3-15/16	4.325-12	4.619	3.938	4.358	AN-22	W-22	<a href="#">STEP</a>	<a href="#">PDF</a>
SNW-122	4	4.325-12	4.619	4.000	4.358	AN-22	W-22	<a href="#">STEP</a>	<a href="#">PDF</a>
SNW-124	4-3/16	4.716-12	5.035	4.188	4.658	AN-24	W-24	<a href="#">STEP</a>	<a href="#">PDF</a>
SNW-124	4-1/4	4.716-12	5.035	4.250	4.658	AN-24	W-24	<a href="#">STEP</a>	<a href="#">PDF</a>

FOR ADDITIONAL ENGINEERING SUPPORT: (401) 728-0700



**whittet-higgins company**

## BEARING ADAPTER SET - SNW-100 SERIES



PART NUMBER	THREAD	MAX TAPER DIAMETER (INCHES)	BORE (INCHES)	MAX LENGTH (INCHES)	LOCKNUT	LOCKWASHER	CAD MODEL	PART PRINT
SNW-126 4-7/16	5.106-12	5.452	4.438	4.992	AN-26	W-26	<a href="#">STEP</a>	<a href="#">PDF</a>
SNW-126 4-1/2	5.106-12	5.452	4.500	4.992	AN-26	W-26	<a href="#">STEP</a>	<a href="#">PDF</a>
SNW-128 4-15/16	5.497-12	5.869	4.938	5.333	AN-28	W-28	<a href="#">STEP</a>	<a href="#">PDF</a>
SNW-128 5	5.497-12	5.869	5.000	5.333	AN-28	W-28	<a href="#">STEP</a>	<a href="#">PDF</a>
SNW-130 5-3/16	5.888-12	6.282	5.188	5.631	AN-30	W-30	<a href="#">STEP</a>	<a href="#">PDF</a>
SNW-130 5-1/4	5.888-12	6.282	5.250	5.631	AN-30	W-30	<a href="#">STEP</a>	<a href="#">PDF</a>
SNW-132 5-7/16	6.284-8	6.696	5.438	5.930	AN-32	W-32	<a href="#">STEP</a>	<a href="#">PDF</a>
SNW-134 5 15/16	6.659-8	7.109	5.938	6.198	AN-34	W-34	<a href="#">STEP</a>	<a href="#">PDF</a>
SNW-136 6 7/16	7.066-8	7.522	6.438	6.466	AN-36	W-36	<a href="#">STEP</a>	<a href="#">PDF</a>
SNW-138 6 15/16	7.472-8	7.939	6.938	6.768	AN-38	W-38	<a href="#">STEP</a>	<a href="#">PDF</a>
SNW-140 7 3/16	7.847-8	8.355	7.188	7.105	AN-40	W-40	<a href="#">STEP</a>	<a href="#">PDF</a>
SNW-144 7 15/16	8.628-8	9.153	7.938	7.297	N-44	W-44	<a href="#">STEP</a>	<a href="#">PDF</a>

FOR ADDITIONAL ENGINEERING SUPPORT: (401) 728-0700