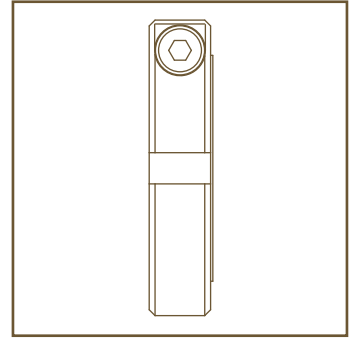
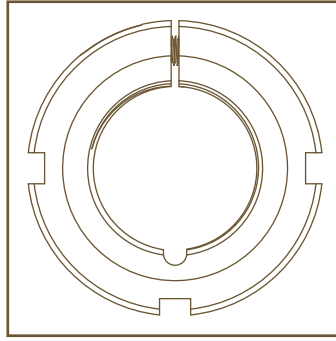
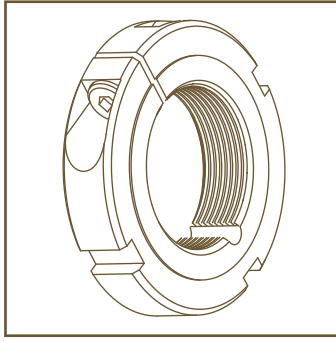


ONE-PIECE CLAMPNUT - CNM SERIES - METRIC



whittet-higgins company



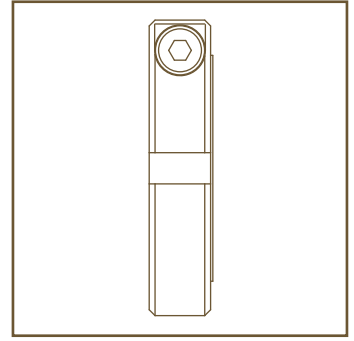
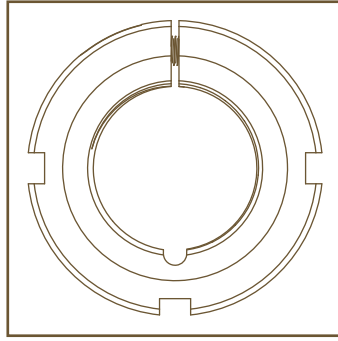
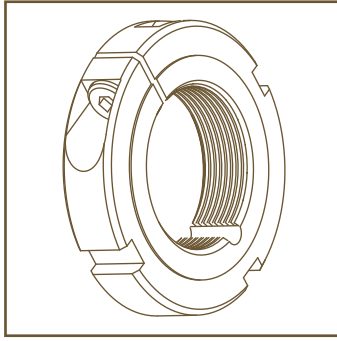
PART NUMBER	THREAD	MAX OUTSIDE DIAMETER (MM)	MAX FACE DIAMETER (MM)	MAX WIDTH (MM)	THEORETICAL AXIAL LOAD (KN)	SOCKET HEAD CAP SCREW	SUGGESTED SCREW TORQUE (IN-LBS)	CAD MODEL	PART PRINT
CNM-00	M10 X 0.75	28.6	15.7	9.8	32	M4	24	STEP	PDF
CNM-01	M12 X 1.0	28.6	18.0	9.8	40	M4	24	STEP	PDF
CNM-02	M15 X 1.0	33.3	20.6	9.8	52	M4	24	STEP	PDF
CNM-03	M17 X 1.0	38.1	23.6	13.0	74	M6	70	STEP	PDF
CNM-04	M20 X 1.0	44.5	28.4	13.0	91	M6	70	STEP	PDF
CNM-044	M22 X 1.0	47.6	32.5	13.0	102	M6	70	STEP	PDF
CNM-05	M25 X 1.5	47.6	32.5	13.0	112	M6	70	STEP	PDF
CNM-056	M28 X 1.5	52.4	38.1	13.0	127	M6	70	STEP	PDF
CNM-06	M30 X 1.5	52.4	38.1	13.0	138	M6	70	STEP	PDF
CNM-064	M32 X 1.5	60.3	46.0	13.0	148	M6	70	STEP	PDF
CNM-07	M35 X 1.5	60.3	46.0	13.0	164	M6	70	STEP	PDF
CNM-08	M40 X 1.5	63.5	50.8	13.0	190	M6	70	STEP	PDF
CNM-09	M45 X 1.5	68.1	57.9	13.0	216	M6	70	STEP	PDF
CNM-10	M50 X 1.5	76.2	61.7	13.0	241	M6	70	STEP	PDF
CNM-11	M55 X 2.0	82.6	67.3	18.0	381	M6	70	STEP	PDF
CNM-12	M60 X 2.0	88.9	72.1	18.0	418	M8	150	STEP	PDF
CNM-13	M65 X 2.0	95.3	77.7	18.0	456	M8	150	STEP	PDF
CNM-14	M70 X 2.0	101.6	84.1	18.0	493	M8	150	STEP	PDF
CNM-15	M75 X 2.0	108.0	90.4	18.0	531	M8	150	STEP	PDF
CNM-16	M80 X 2.0	114.3	97.5	18.0	569	M8	150	STEP	PDF
CNM-17	M85 X 2.0	120.7	102.4	18.0	606	M8	150	STEP	PDF
CNM-18	M90 X 2.0	123.7	108.7	18.0	644	M8	150	STEP	PDF
CNM-19	M95 X 2.0	134.9	115.8	21.1	824	M10	300	STEP	PDF
CNM-20	M100 X 2.0	139.7	122.2	21.1	869	M10	300	STEP	PDF
CNM-21	M105 X 2.0	146.1	127.0	21.1	915	M10	300	STEP	PDF
CNM-22	M110 X 2.0	152.4	134.1	21.1	960	M10	300	STEP	PDF
CNM-24	M120 X 2.0	161.8	144.5	21.1	1051	M10	300	STEP	PDF
CNM-26	M130 X 2.0	174.5	157.0	24.3	1342	M12	510	STEP	PDF
CNM-28	M140 X 2.0	184.2	165.9	24.3	1449	M12	510	STEP	PDF
CNM-30	M150 X 2.0	196.9	179.3	24.3	1556	M12	510	STEP	PDF

FOR ADDITIONAL ENGINEERING SUPPORT: (401) 728-0700

CLAMPNUT - CNM SERIES - METRIC



whittet-higgins company



PART NUMBER	THREAD	MAX OUTSIDE DIAMETER (MM)	MAX FACE DIAMETER (MM)	MAX WIDTH (MM)	THEORETICAL AXIAL LOAD (KN)	SOCKET HEAD CAP SCREW	SUGGESTED SCREW TORQUE (IN-LBS)	CAD MODEL	PART PRINT
CNM-32	M160 X 3.0	203.2	188.7	24.3	1635	M12	510	STEP	PDF
CNM-34	M170 X 3.0	215.9	204.0	24.3	1740	M12	510	STEP	PDF
CNM-36	M180 X 3.0	228.6	212.7	25.4	1947	M12	510	STEP	PDF
CNM-38	M190 X 3.0	241.3	223.0	25.4	2047	M12	510	STEP	PDF
CNM-40	M200 X 3.0	247.7	232.6	25.4	2157	M12	510	STEP	PDF

FOR ADDITIONAL ENGINEERING SUPPORT: (401) 728-0700