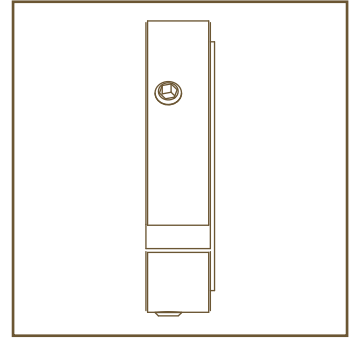
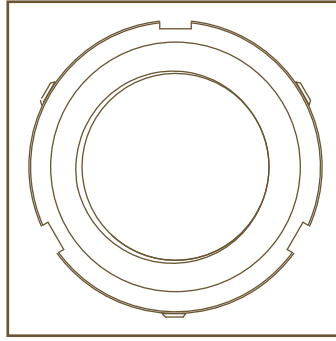
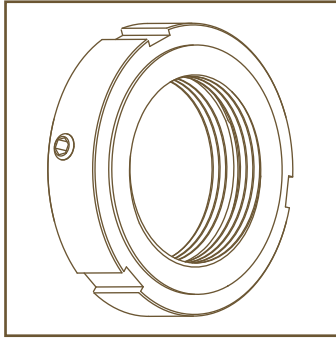


TANGENTLOK - TLN SERIES - INCH



whittet-higgins company



PART NUMBER	THREAD	MAX OUTSIDE DIAMETER (INCHES)	MAX FACE DIAMETER (INCHES)	MAX WIDTH (INCHES)	THEORETICAL AXIAL LOAD (LBS)	HEX SET SCREW	SUGGESTED SCREW TORQUE (IN-LBS)	CAD MODEL	PART PRINT
TLN-00	0.391-32	0.880	0.625	0.385	7000	10-32	22	STEP	PDF
TLN-01	0.469-32	1.005	0.719	0.385	8400	10-32	22	STEP	PDF
TLN-02	0.586-32	1.130	0.813	0.385	10400	10-32	22	STEP	PDF
TLN-03	0.664-32	1.130	0.938	0.385	11800	10-32	22	STEP	PDF
TLN-04	0.781-32	1.380	1.125	0.385	13800	10-32	22	STEP	PDF
TLN-05	0.969-32	1.567	1.281	0.416	17200	10-32	22	STEP	PDF
TLN-06	1.173-18	1.755	1.500	0.416	19100	10-32	22	STEP	PDF
TLN-065	1.312-18	2.067	1.813	0.448	24300	1/4-28	52	STEP	PDF
TLN-07	1.376-18	2.067	1.813	0.448	25500	1/4-28	52	STEP	PDF
TLN-08	1.563-18	2.255	2.000	0.448	29000	1/4-28	52	STEP	PDF
TLN-09	1.767-18	2.536	2.281	0.448	32500	1/4-28	52	STEP	PDF
TLN-10	1.967-18	2.692	2.438	0.510	44700	1/4-28	52	STEP	PDF
TLN-11	2.157-18	2.973	2.656	0.510	48700	1/4-28	52	STEP	PDF
TLN-12	2.360-18	3.161	2.844	0.541	58300	1/4-28	52	STEP	PDF
TLN-13	2.548-18	3.380	3.063	0.573	68600	1/4-28	52	STEP	PDF
TLN-14	2.751-18	3.630	3.313	0.573	74100	1/4-28	52	STEP	PDF
TLN-15	2.933-12	3.880	3.563	0.604	74900	5/16-18	104	STEP	PDF
TLN-16	3.137-12	4.161	3.844	0.604	76500	5/16-18	104	STEP	PDF
TLN-17	3.340-12	4.411	4.031	0.635	88800	5/16-18	104	STEP	PDF
TLN-18	3.527-12	4.661	4.281	0.698	108100	5/16-18	104	STEP	PDF
TLN-19	3.730-12	4.942	4.563	0.729	122500	5/16-18	104	STEP	PDF
TLN-20	3.918-12	5.192	4.813	0.760	137200	5/16-18	104	STEP	PDF
TLN-21	4.122-12	5.247	5.000	0.760	143200	3/8-16	182	STEP	PDF
TLN-22	4.325-12	5.529	5.281	0.791	159600	3/8-16	182	STEP	PDF
TLN-24	4.716-12	5.935	5.688	0.823	184600	3/8-16	182	STEP	PDF
TLN-26	5.106-12	6.498	6.188	0.885	222000	7/16-14	285	STEP	PDF
TLN-28	5.497-12	6.842	6.531	0.948	263200	7/16-14	285	STEP	PDF
TLN-30	5.888-12	7.403	7.063	0.979	294700	7/16-14	285	STEP	PDF
TLN-32	6.284-8	7.779	7.438	1.041	338700	7/16-14	285	STEP	PDF
TLN-34	6.659-8	8.372	8.031	1.073	374300	1/2-13	410	STEP	PDF
TLN-36	7.066-8	8.748	8.375	1.104	413000	1/2-13	410	STEP	PDF
TLN-38	7.472-8	9.154	8.781	1.135	453400	1/2-13	410	STEP	PDF
TLN-40	7.847-8	9.529	9.156	1.198	504700	1/2-13	410	STEP	PDF

FOR ADDITIONAL ENGINEERING SUPPORT: (401) 728-0700